

IKA

designed for scientists

T 25 mini control

ENGLISH

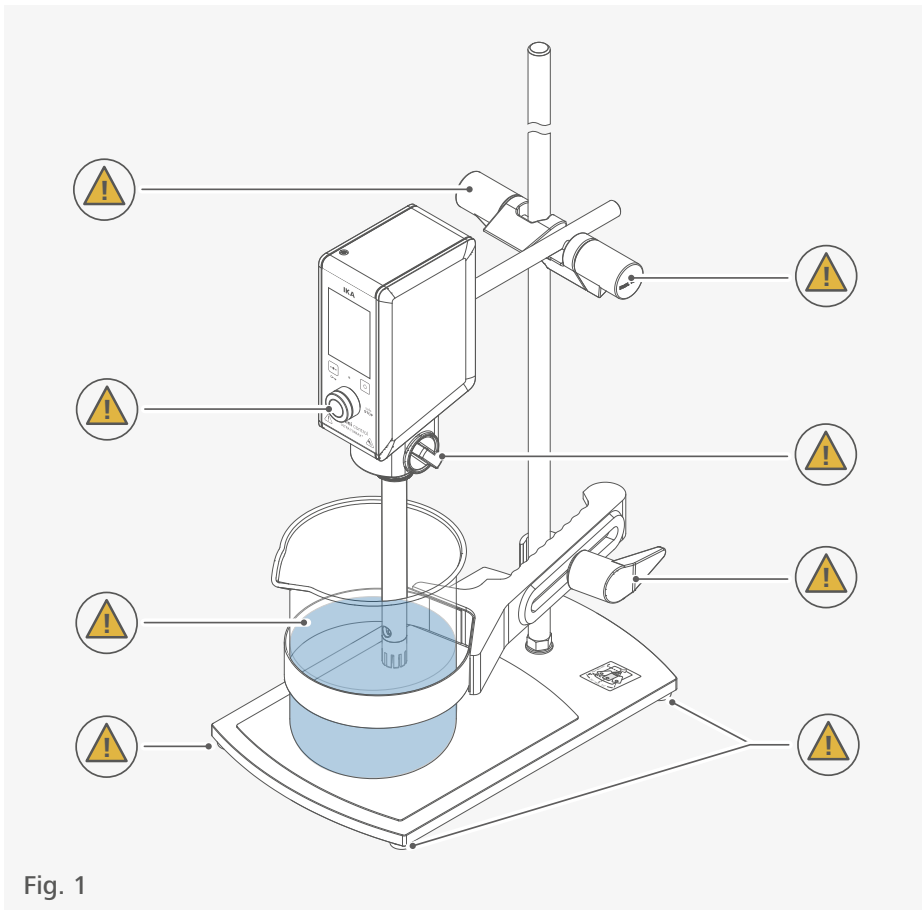











Fig. 1

	EU Declaration of conformity	6
	Explication of warning symbols	6
	Safety instructions.....	7
	Intended use.....	10
	Useful information	11
	Drive.....	11
	Unpacking	12
	Installation.....	12
	Operator panel and display	18
	Operation	20
	Menu navigation and structure	24
	Interfaces and outputs	29
	Maintenance and cleaning	32
	Warning messages.....	33
	Error codes	34
	Accessories	35
	Permitted dispersing tools	35
	Technical Data	37
	Warranty	38



EU Declaration of conformity




We declare under our sole responsibility that this product corresponds to the directives 2014/35/EU, 2006/42/EC, 2014/30/EU and 2011/65/EU and conforms with the following standards or normative documents: EN 61010-1, EN 6010-2-051, EN 61326-1, EN 60529 and EN ISO 12100.

A copy of the complete declaration of conformity or further declarations of conformity can be requested at sales@ika.com.






Explication of warning symbols

/// Warning symbols

-  **Danger!** Indicates an (extremely) hazardous situation, which, if not avoided, will result in death, serious injury.
-  **Warning!** Indicates a hazardous situation, which, if not avoided, can result in death, serious injury.
-  **Caution!** Indicates a potentially hazardous situation, which, if not avoided, can result in injury.
-  **Notice!** Indicates practices which, if not avoided, can result in equipment damage.
-  **Caution!** Indicates crushing risk to fingers/hand.
-  **Caution!** Indicates a hazardous situation that can cause from a hot surface.

/// General Symbols

- A** — Position number
-  Correct/Result
Shows the correct execution or the result of an action step.
-  Wrong
Shows the incorrect execution of an action step.
-  Note
Displays action steps that require particular attention to detail.

Safety instructions

/// General information

- › **Read the operating instructions completely before starting up and follow the safety instructions.**
- › Keep the operating instructions in a place where it can be accessed by everyone.
- › Ensure that only trained staff work with the device.
- › Follow the safety instructions, guidelines, occupational health and safety and accident prevention regulations.

Warning!

- › Beware of the risk of:
 - flammable materials
 - glass breakage
 - sharp edges on the dispersing tool.

Caution!

- › Wear your personal protective equipment in accordance with the hazard category of the media to be processed. There is a risk from:
 - splashing and evaporation of liquids
 - body parts, hair, clothing and jewellery getting caught.

Notice!

- › Pay attention to the marked sites in Fig. 1.
- › The device must only be used in a technically perfect condition.
- › Do not cover the ventilation slots on the device in order to ensure adequate cooling.
- › Abrasion from the device or the rotating accessories can get into the medium you are working on.

/// Device setup

Warning!

- › The standby button and control knob of the device must be accessed immediately, directly and without risk at any time. If access to the standby button and control knob cannot be ensured, an additional emergency stop switch that can be easily accessed must be installed in the work area.

Caution!

- › Make sure that the device is stably mounted. The vessel used for dispersing must be secured. Consider on a good stability of entire structure. The centre of gravity of the assembly must lie within the entire structure.

Notice!

- › Set up the stand in a spacious area on an even, stable, clean, non-slip, dry and fireproof surface.
- › Place the power supply outside the working area of the device.
- › Ensure that the dispersing tool is securely properly into the device.
- › All screw connections must be properly tightened.
- › Check that the turning knobs are secure and tighten if necessary.
- › Glass vessels must always be secured with a clamp to prevent them spinning.
- › Before switching on the device make sure that the dispersing tool shaft is immersed in the medium. Observe the operating instructions of the dispersing tools.
- › The distance between the dispersing tool and the vessel bottom should not be less than 10 mm.
- › Use the dispersing tool always inside the dispersing vessel.



/// Working with the device

Danger!

- › Do not use the device in explosive atmospheres, it is not EX-protected.
- › With substances capable of forming an explosive mixture, appropriate safety measures must be applied, e.g. working under a fume hood.
- › To avoid body injury and property damage, observe the relevant safety and accident prevention measures when processing hazardous materials.
- › Only process media that will not react dangerously to the extra energy produced through processing. This also applies to any extra energy produced in other ways, e.g. through light irradiation.

Warning!

- › The device is not suitable for hand-held operation.
- › Pull out the power plug when changing or handling the dispersing tool.

Caution!

- › Do not touch rotating parts during operation.

Caution!

- › The dispersing tool and the coupling flange can become hot during the operation.
- › If a dispersing tool is not inserted into the drive flange as far as the mark it can become extremely hot in operation and thus suffer damage.

Caution!

- › Be aware that the device starts with the set speed, which is shown on the display. If uncertain start with the lowest speed and increase it gradually.
- › Reduce the speed if the medium splashes out of the vessel because the speed is too high.
- › If the interaction between the medium and dispersing tool or working with dispersing tools with a stator diameter ≥ 18 mm and a speed of more than 20000 rpm, makes a loud noise, be sure to wear your personal protective equipment.

Notice!

- › Covers or parts that can be removed from the device without tools must later be refitted to ensure safe operation. This will prevent the infiltration of foreign objects, liquids and other contaminants.
- › Never run dispersing tools dry, as the gasket and bearings will be destroyed if the tools are not cooled by the medium.
- › In the event of unbalance or unusual noises, switch off the device immediately. Replace the dispersing tool. If there is no difference after the change of the dispersing tool, return it to the dealer or the manufacturer along with a description of the fault.
- › Ensure that the stand does not start to move.
- › There may be electrostatic discharges between the medium and the dispersing device shaft which could pose a direct danger.

/// Power supply / switching off the device

- › The device can only be disconnected from the power supply by pulling out the power plug or the connector plug.
- › Always disconnect the plug before fitting accessories or cleaning.
- › The socket for the power cord must be easily accessible.
- › The device does not start up again automatically following a cut in the power supply.

/// Accessories

- › Protect the device and accessories from bumps and impacts.
- › Check the device and accessories beforehand for damage each time you use them. Do not use damaged components.
- › Only dispersing tool approved by IKA may be used.
- › Safe operation is only guaranteed with the accessories described in the "Accessories" chapter.

/// Maintenance

- › The device must only be opened by trained specialists, even during repair. The device must be unplugged from the power supply before opening. Live parts inside the device may still be live for some time after unplugging from the power supply.

/// Disposal instructions

- › The device, accessories and packaging must be disposed of in accordance with local and national regulations.



Intended use

/// Use

When used in combination with one of our recommended dispersing tools, the device is a high-speed dispersing and emulsifying device capable of handling free-flowing and liquid media in batches.

Production of:
Emulsions
Dispersions
Wet crushing

Intended use: on stand (dispersing tool points down)

/// Range of use

Indoor environments similar to that a laboratory of research, teaching, trade or industry.

The safety of the user cannot be guaranteed:

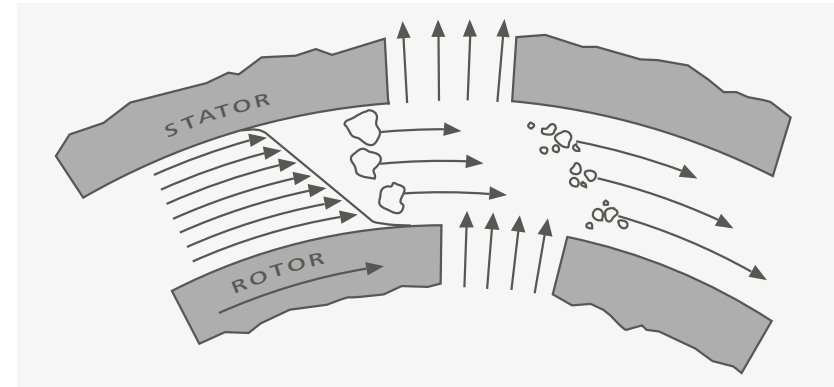
- › if the device is operated with accessories that are not supplied or recommended by the manufacturer.
- › if the device is operated improperly or contrary to the manufacture's specifications.
- › if the device or the printed circuit board are modified by third parties.

Useful information

Dispersion is the dissolution and diffusion of a solid, liquid or gaseous phase in a liquid that is not consolute with that phase.

The rotor/stator principle:

Due to the high rotation speed of the rotor, the medium to be processed is automatically drawn axially into the dispersion head and then forced radially through the slots in the rotor/stator arrangement. The high accelerations acting on the material produce extremely strong shear and thrust forces. In addition, high turbulence occurs in the shear gap between rotor and stator, which provides optimum mixing of the suspension.



The dispersion effectiveness is heavily dependent on the product of the shear gradient and the time the particles spend in the shear zone. The optimum range for the circumferential velocity of the rotor / stator arrangement is 6–24 m/s.

A processing time of a few minutes is usually sufficient to produce the desired fineness. Long processing times bring only insignificant improvements in the obtainable fineness; the energy expended serves merely to increase the temperature of the medium.

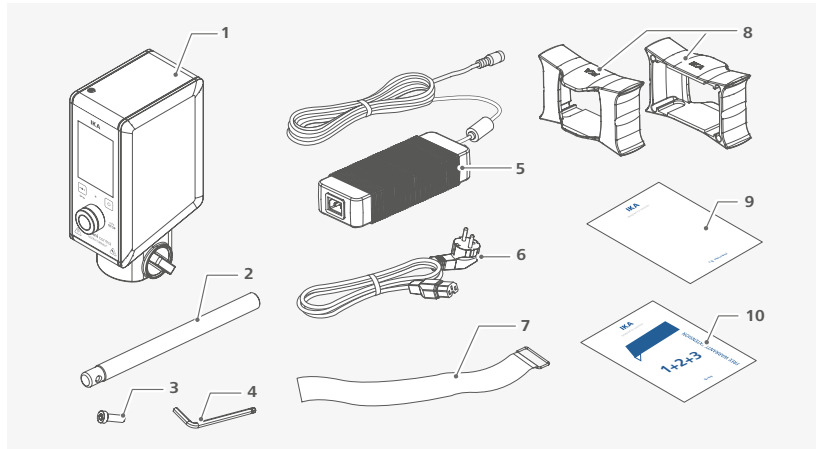
Drive

The device opens up a wide range of possibilities for dispersion technology in the conventional laboratory with a respective performance output of approximately 160 watts at 25000 rpm. The speed is set by using the control knob. The motor speed can be read from the LED display. For example, a value of 13.6 corresponds to 13600 rpm.



Unpacking

- > Please unpack the device carefully.
- > Any damage should be notified immediately to the shipping agent (post office, railway network or logistics company).

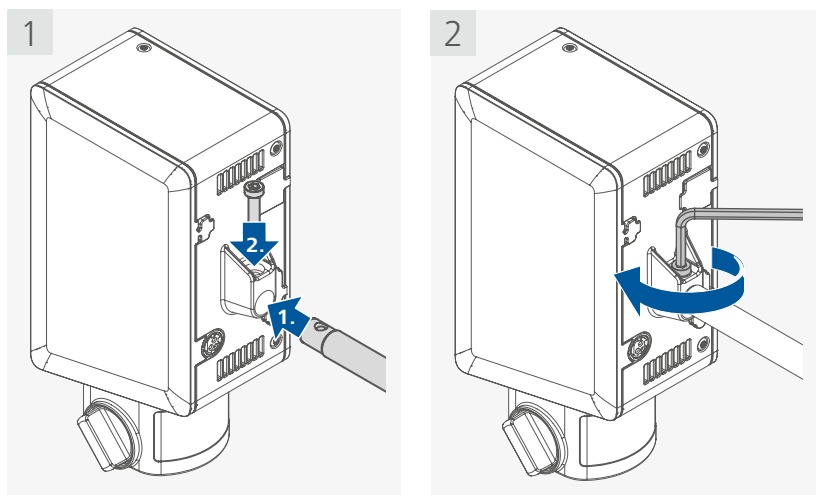


1	T 25 mini control	6	Power cord set
2	Extension arm	7	Holding band
3	Hexagonal socket screw	8	Brackets for the desktop power supply
4	Hexagonal socket offset screw key	9	User guide
5	Desktop power supply	10	Warranty card

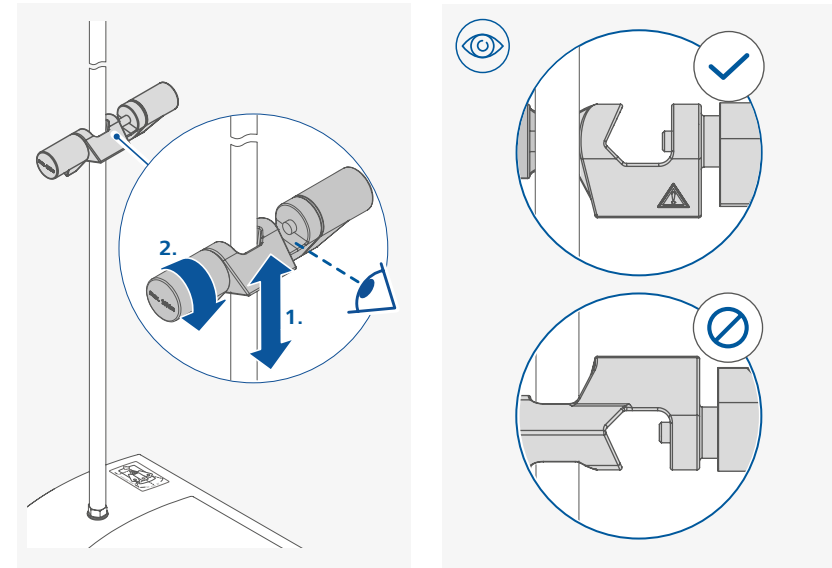


Installation

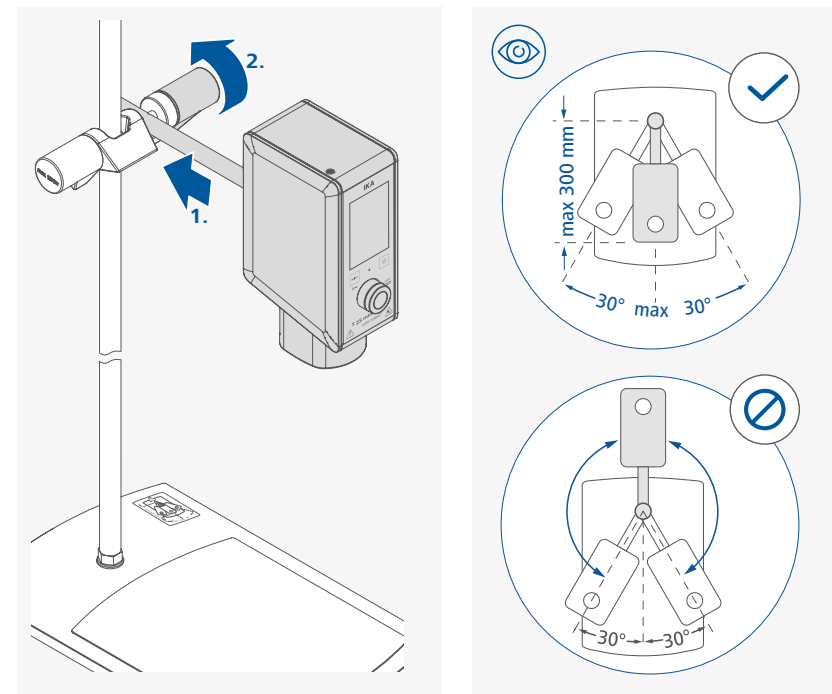
/// Securing the extension arm to the device



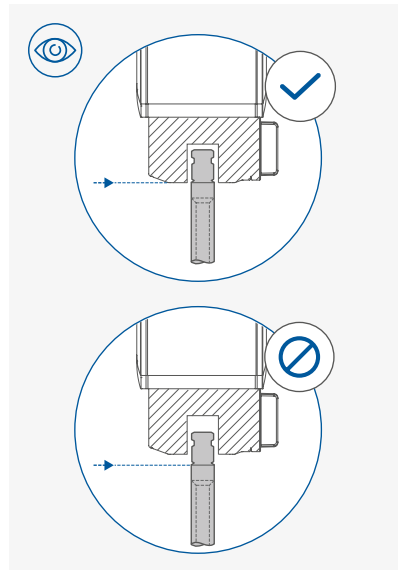
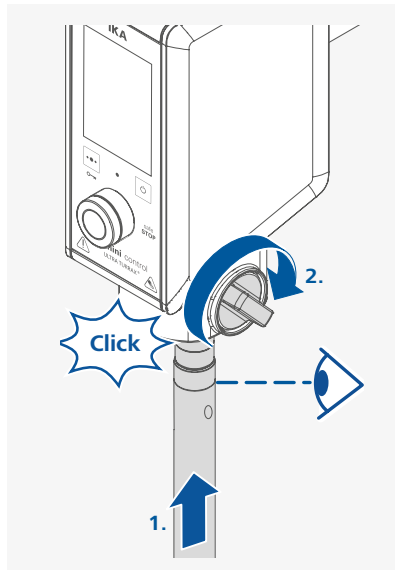
/// Securing the cross sleeve to the stand



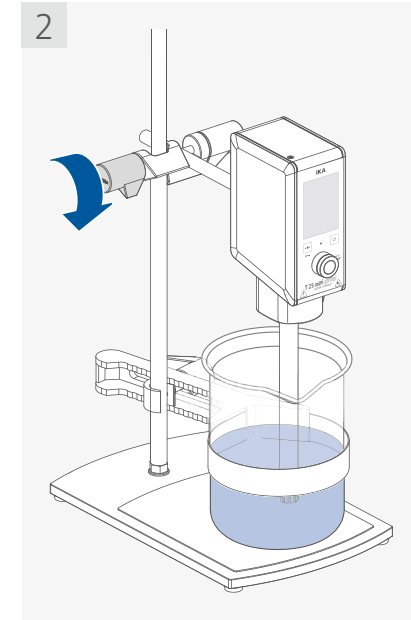
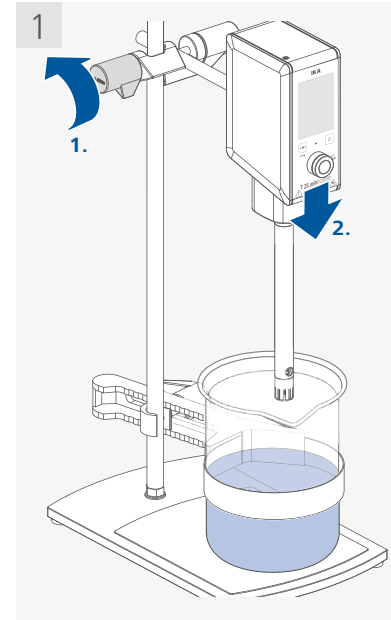
/// Securing the dispenser to the cross sleeve



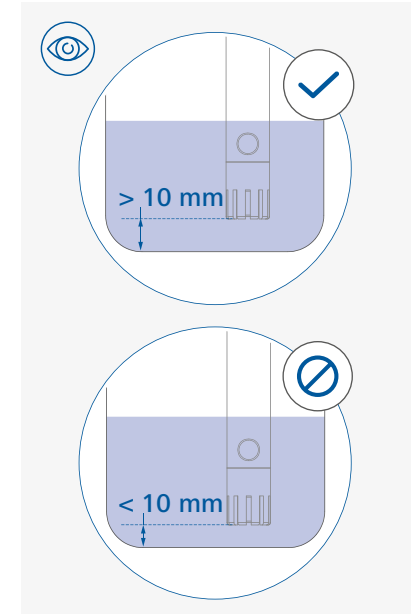
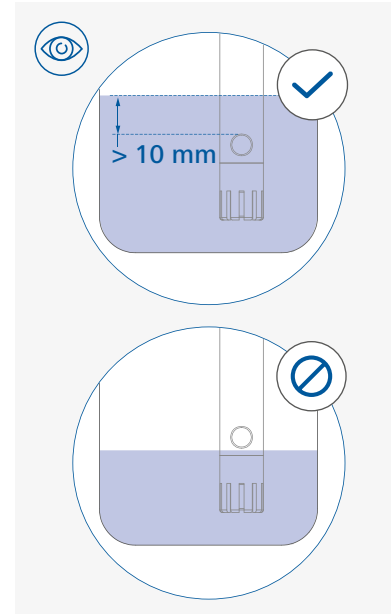
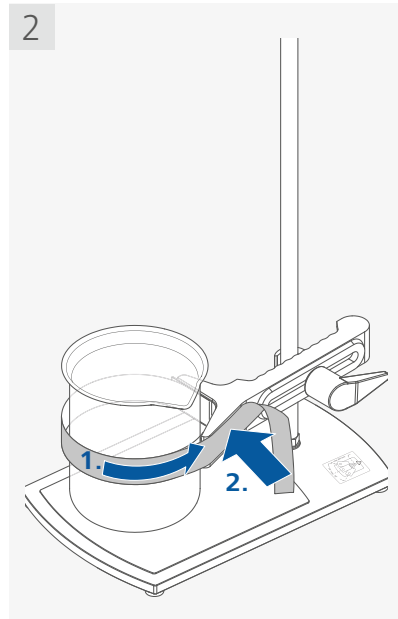
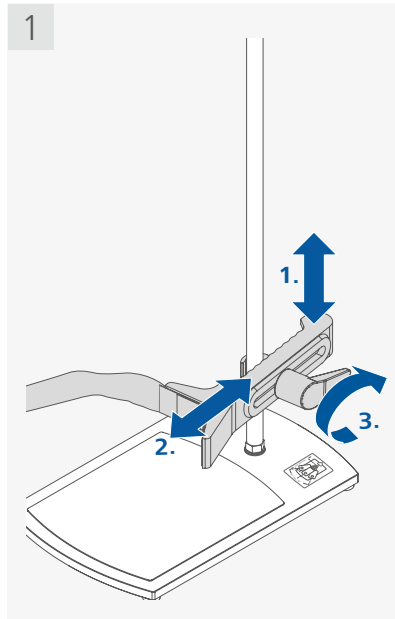
/// Securing the dispersing tool



/// Positioning the device



/// Securing the vessel to the stand



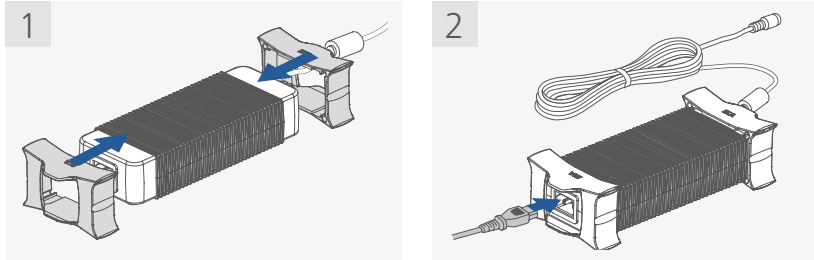
⚠ Notice!

The filling level of the medium must be at least 10 mm above the lower overflow hole of the shaft.

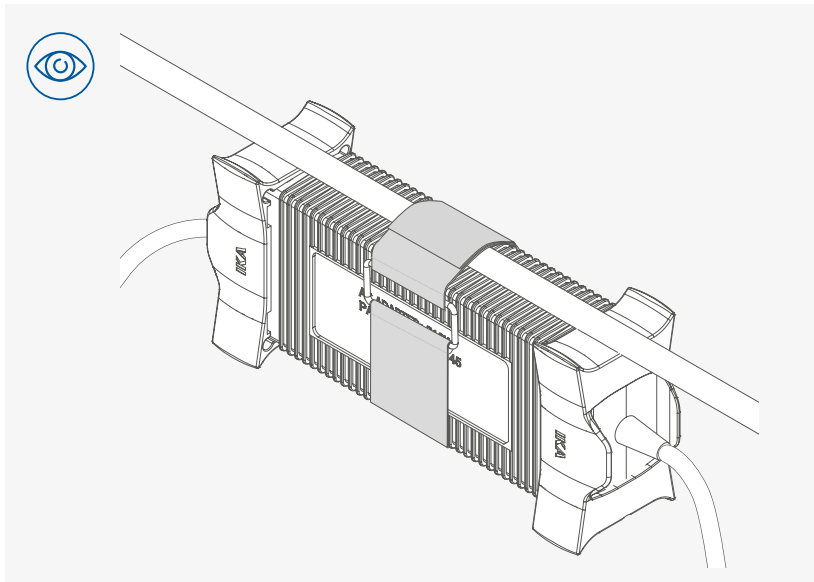
⚠ Notice!

The distance between the dispersing tool and the vessel bottom should not be less than 10 mm.

/// Attaching the brackets to the desktop power supply

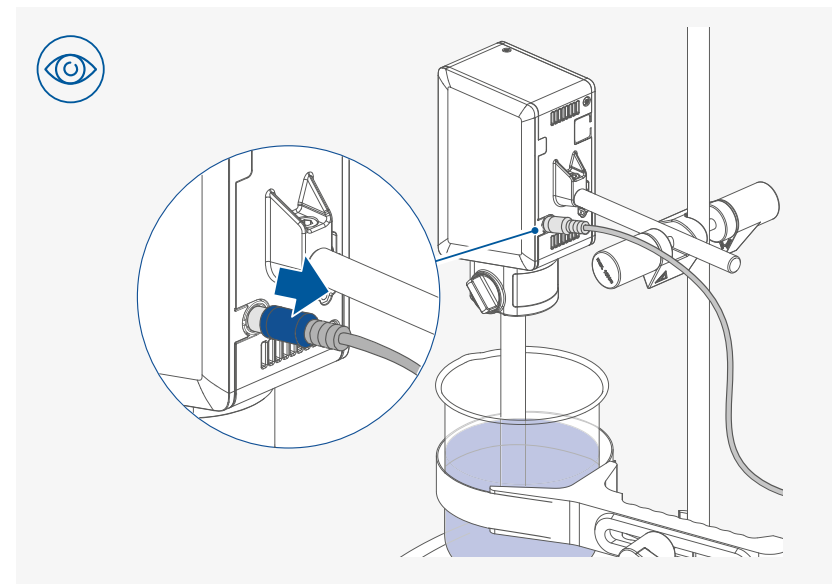
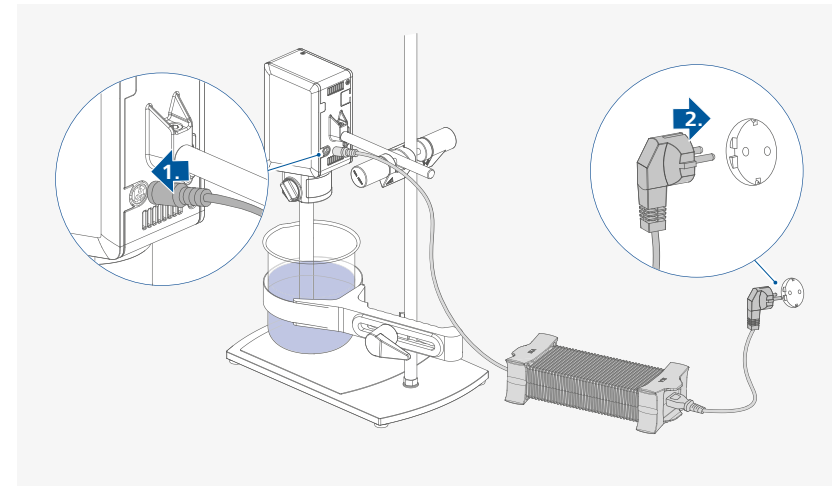


i The brackets can prevent the desktop power supply from liquids on the table.



i If required, the desktop power supply can be attached to a horizontally aligned pole using the brackets and the holding band supplied.

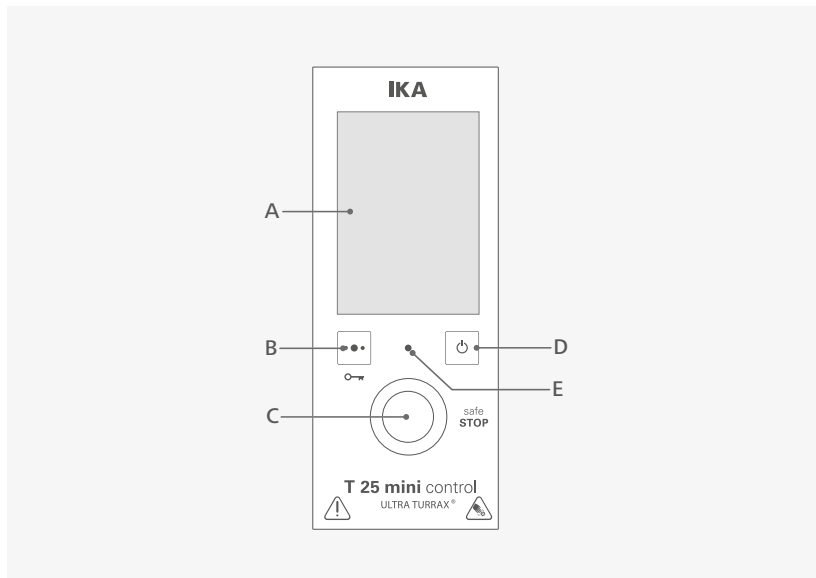
/// Connecting to the power



⚠ Notice!
To disconnect the device plug from the device, first release the plug lock by pulling back the plug housing. Don't pull the connection cord.

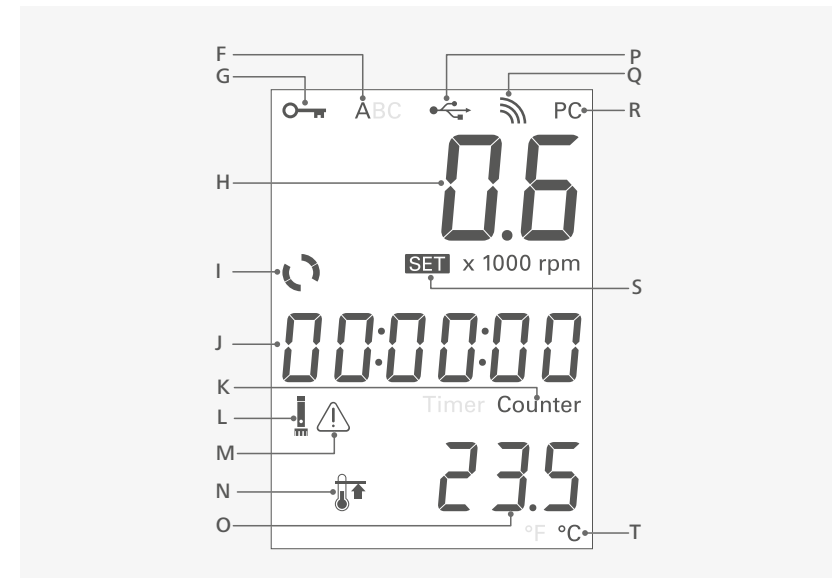
Operator panel and display

/// Explanation of the control elements



A	Display	Display the set parameters of the device.
B	Multifunction button	Switch between different device functions: - Timer/Counter - Maximum temperature ! - Remaining maintenance time ! - Resetting the maintenance time ! - Operating mode - Temperature unit ! - Pairing with the HUB - Device information
C	Control knob (rotating / pressing)	Set the speed. Select/change and confirm the settings in the menu. Start/stop function of the device. Stop the device safely in lock status and with external control.
D	Standby button	Switches the device to standby mode (no disconnection from the power supply).
E	Status LED	LED lights up green: Device is ready for use. LED pulses green: Device function is activated. LED lights up white: Device is in standby mode. LED blinks blue: Device is connecting to an external wireless device. LED lights up blue: Device is in remote control mode. LED blinks orange: The maintenance time has been reached. The medium temperature is higher than the set maximum temperature. No dispersing tool is installed. LED blinks red: Device is in error status.

/// Explanation of symbols on the working screen



F	Operating mode symbol	Indicate the device is in operating mode (A, B or C).
G	Lock button symbol	Indicate the settings of the device are locked.
H	Speed display	Display the speed value (x 1000 rpm).
I	Working symbol	Indicate that the device function is activate.
J	"Timer/Counter" display	Indicate the "Timer/Counter" value.
K	"Timer/Counter" symbol	Indicate the "Timer" or "Counter" is activated.
L	Dispersing tool maintenance symbol !	Indicates that the set maintenance time will soon be reached or has already been reached.
M	Warning symbol !	Indicates that the set maintenance time will soon be reached or has already been reached.
N	Maximum temperature symbol !	Indicate the max. temperature setting has been reached.
O	Temperature display !	Display the temperature value read out with the S 25 EC-T... tool.
P	USB connection symbol	Indicate a USB cable is connected.
Q	Wireless connection symbol	Indicate that the device is communicating via a wireless connection.
R	PC control symbol	Indicate the device is controlled by a PC.
S	"SET" symbol	Indicate that the set value is displayed.
T	Temperature unit symbol !	Indicate that the selected temperature unit.

- i**
- > The symbols displayed change depending on the status and settings of the device.
 - > **!** Only for dispersing tool **S 25 EC-T ...**

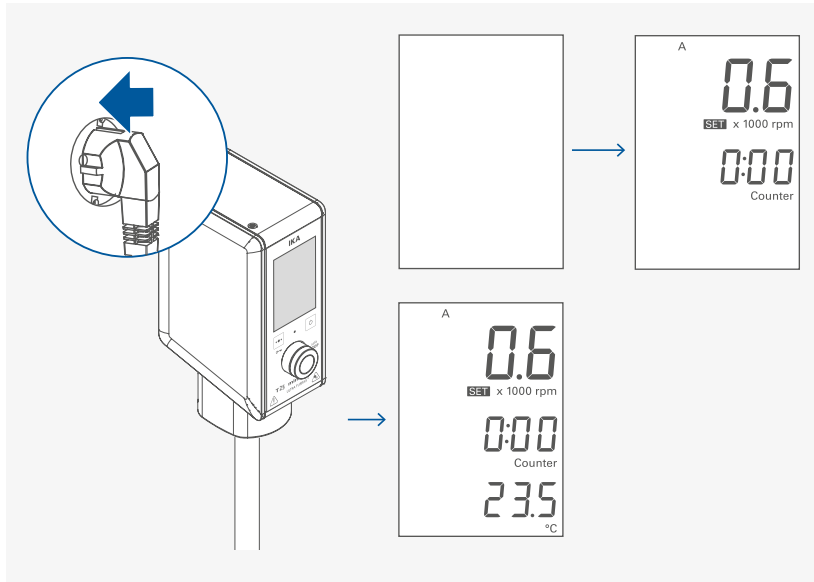


Operation

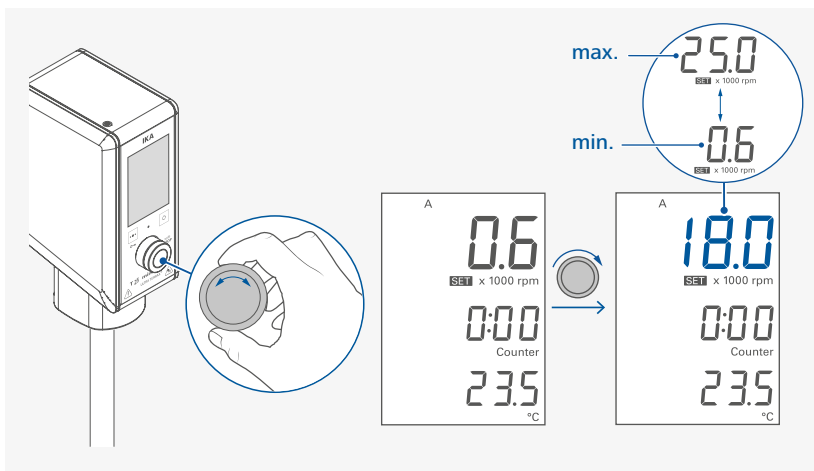
⚠ Notice!

Observe the ambient conditions (temperature, humidity etc.) listed under "Technical Data".

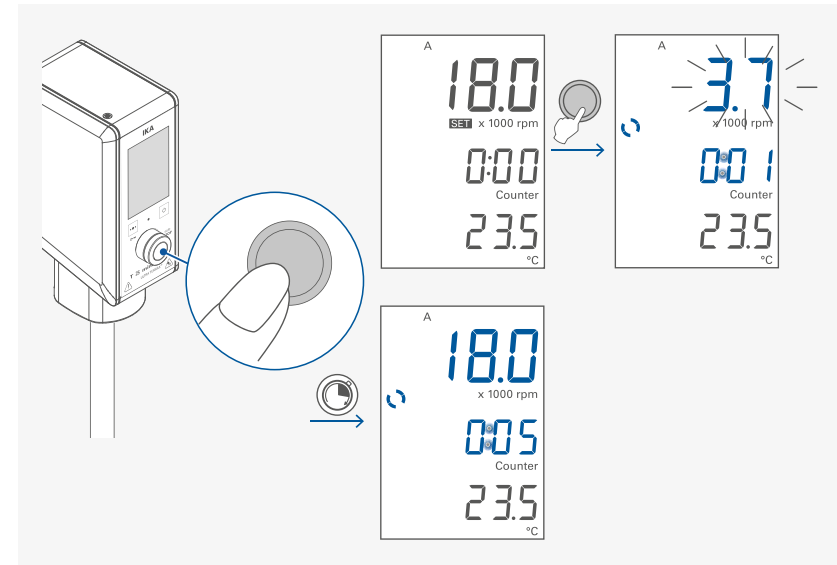
/// Switching on



/// Setting the speed

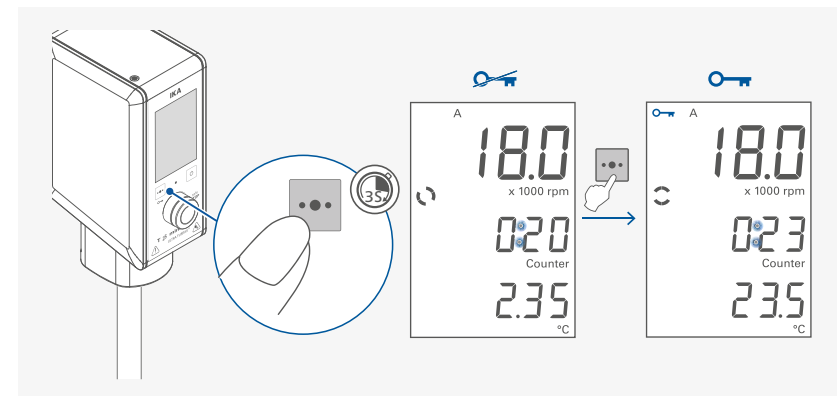


/// Starting the device function

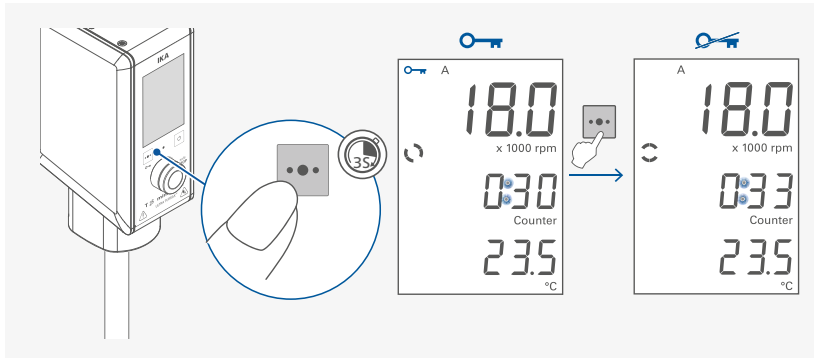


/// Locking/unlocking the settings

> Locking the settings

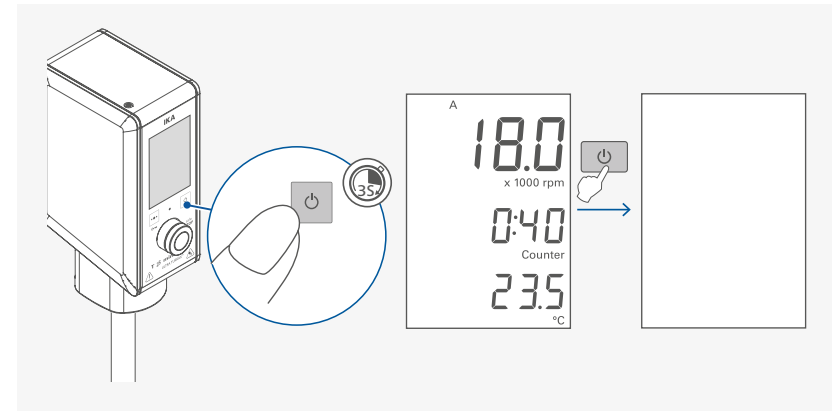


› Unlocking the settings

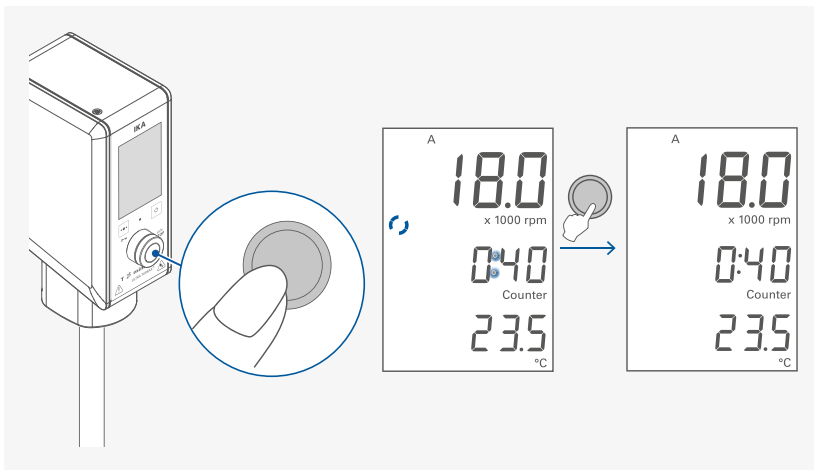


i Even in lock status, the device function can be stopped or switched off by pressing the control knob (C) or standby button (D).

/// Activate standby mode



/// Stopping the device function



i › After stopping the device function, the last speed setting is shown on the display.
› After stopping the device function, the last set timer value or the elapsed running time (counter value) is displayed.



Menu navigation and structure

/// Menu navigation

- › Select the menu option by touching multifunction button (B) shortly.
- › Select the next menu option by touching multifunction button (B) shortly again.
- › Current selected menu option blinks.
- › Select/edit and confirm the desired setting by turning and pressing the control knob.

/// Menu structure

	Default settings	
Counter	Activated	
Timer	-	
Maximum temperature ❶	125.0 °C	
Remaining maintenance time ❶	40 hours	
Resetting maintenance time ❶	-	
Menu - Operating mode	A	Activated
	B	-
	C	-
Temperature unit ❶	°C	Activated
	°F	-
Pairing with the HUB	-	
Device information	-	

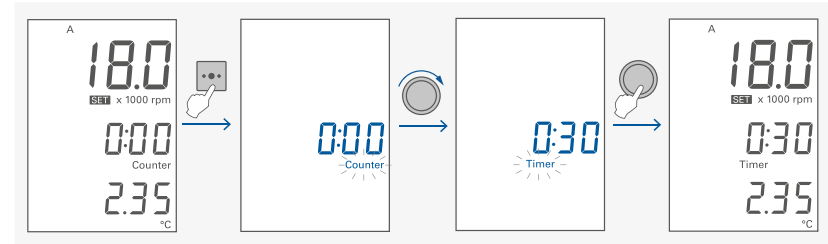
i ❶ Only for S 25 EC-T... dispersing tool.

/// Menu details

Counter/timer:

Setting and confirming the timer value or counter in stopped status or when the device function is activated:

- › Select "Timer/Counter" menu option.
- › Set the desired timer value.
- › Confirming the setting.

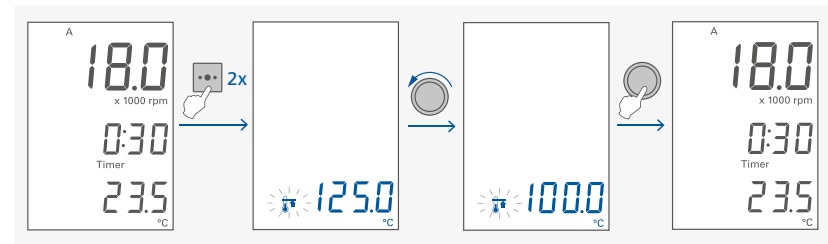


- i**
- › If the value of the timer/counter setting is set to 0:00, the counter function is activated and the corresponding symbol (Counter) lights up. When the device function is started, this value automatically starts to run from 0:00 to maximum value 99:59:59.
 - › If the value of the timer/counter setting is set to a value larger than 0:00, the timer function is activated and the corresponding symbol (Timer) lights up. Once the set timer value has elapsed, the device function stops automatically and the last set timer value is displayed. The maximum timer value is 99:59:59.
 - › While the device function is active, the timer setting can be checked by pressing the multifunction button (B) and reset if necessary.
 - › The device function can be stopped by pressing the control button (C). This stops the timer and resets it to the last set value.

Maximum temperature:

Setting and confirming the maximum temperature in stopped status:

- › Select the maximum temperature menu option.
- › Set the maximum temperature value.
- › Confirm the setting.

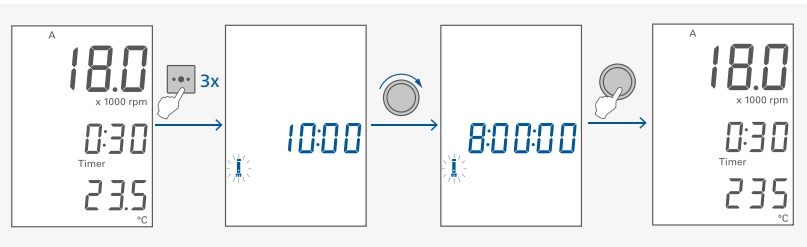


- i**
- › The setting for the maximum temperature can also be checked when the device function is activated.

Remaining maintenance time:

Check and set the maintenance time of the dispersion tool in the stopped status:

- › Select the remaining maintenance time menu option.
- › Set the desired maintenance time according to your requirements (values of 4-40 hours are possible).
- › The next time the tool maintenance time is reset, the new value is used as the reset value.

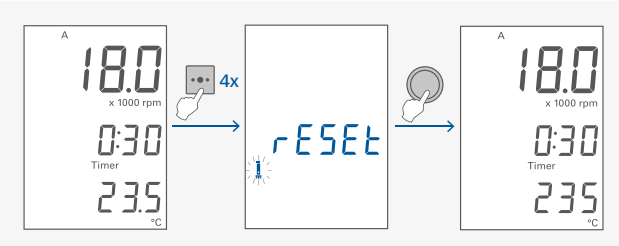


- i**
- › When the dispersing tool remaining maintenance time is less than 30 minutes, the dispersing tool maintenance symbol (L) and warning symbol (M) appear on the screen.
 - › When the dispersing tool maintenance time reaches 0, the dispersing tool maintenance symbol (L) and warning symbol (M) blink. The status LED (E) blinks in orange.

Resetting maintenance time:

Resetting the dispersing tool maintenance time in stopped status:

- › Select the resetting maintenance time menu option.
- › Confirm the setting to reset the maintenance time.

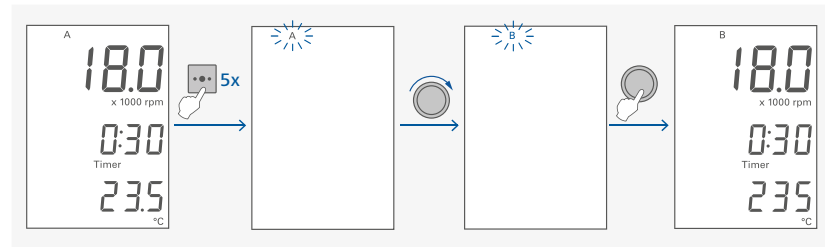


- i**
- › The default maintenance time of **S 25 EC-T...** dispersing tool is 20 hours. We recommend to check and carry out necessary maintenance (e.g. replacing the bearing) to the dispersing tool when the service time elapse.
 - › The device function does not stop when the maintenance time has reached 0. However, we recommend carrying out maintenance as soon as possible. After the maintenance in a **IKA** service workshop the maintenance time will be reset from the service team. In all other cases it is possible to reset the maintenance time with the device.

Operating mode:

Setting the operating mode in stopped status:

- › Select the operating mode menu option.
- › Select the desired operating mode.
- › Confirm the setting.

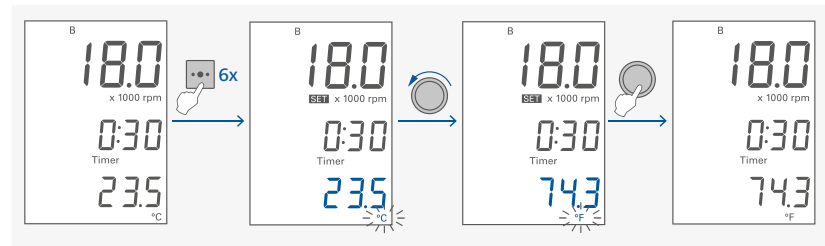


- i**
- › **Operating mode A:**
After a power failure the set values are not saved. The device doesn't restart by itself.
 - › **Operating mode B:**
After a power failure the set values are saved. The device doesn't restart by itself.
 - › **Operating mode C:**
After a power failure the set values are saved and cannot be changed. The device doesn't restart by itself.

Temperature unit:

Setting the temperature unit in stopped status:

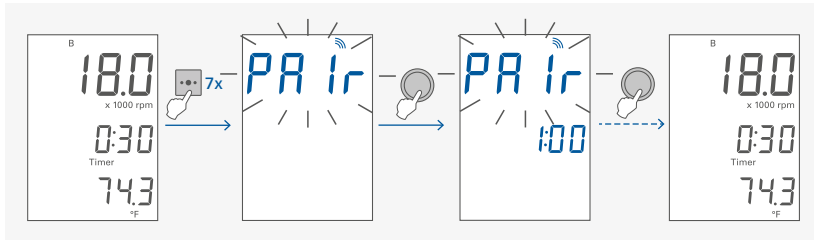
- › Select the temperature unit menu option.
- › Select the temperature unit.
- › Confirm the setting.



Pairing with the HUB:

Pairing with the HUB in the stopped status:

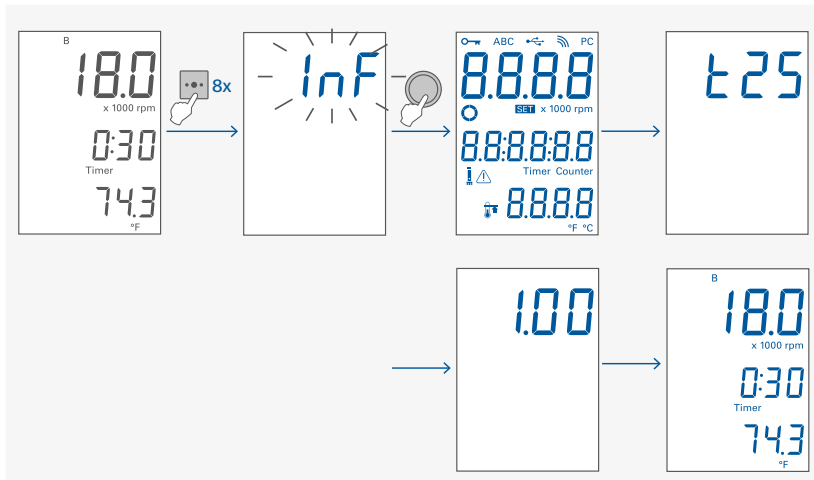
- › Select the "Pair" menu option.
- › Press the control knob (C) to make the device visible in the HUB. The device stays visible for 1 minute.
- › Press "SEARCH" button at the HUB.
- › Select the device in search result list at the HUB screen via "+" button. Status LED (E) blinks blue.
- › Confirm the connection by pressing the control knob (C) again. The HUB waits for confirmation for 30 seconds.
- › The device is connected to the HUB. Status LED (E) stops blinking and lights up blue.



Device information:

View of the device information in the stopped status:

- › Select the device information menu option.
- › Confirm the setting.



i When the device information setting is active, a self-check screen, the device name and the software version appear.

Interfaces and outputs

The device can be operated in "Remote" mode via the RS 232 port / USB port or ethernet port connected to a PC and with the laboratory software Labworldsoft®.

The device can also be operated/read out via a wireless connection.

The device software can also be updated with a PC via the RS 232 port / USB port or ethernet port.

⚠ Notice!

Please comply with the system requirements together with the operating instructions and help section included with the software.

Also note the requirements for the ability to put the device into a safe status in an emergency if it is controlled externally.

/// USB interface

The Universal Serial Bus (USB) is a serial bus for connecting the device to the PC. Equipped with USB devices can be connected to a PC during operation (hot plugging).

Connected devices and their properties are automatically recognized.

/// USB device drivers

First, download the latest driver for IKA devices with USB interface from:

www.ika.com/ika/lws/download/usb-driver.zip.

Install the driver by running the setup file. Connect the IKA device through the USB data cable to the PC. The data communication is via a virtual COM port. Configuration, command syntax and commands of the virtual COM ports are as described in RS 232 interface.

i The USB driver is unnecessary for Windows 10 system. Don't install it for Windows 10 system.

/// Ethernet

After connecting the device to the router or PC via the Ethernet cable, the correct IP address should be entered.

If the DHCP protocol is enabled, the IP address is assigned automatically. If not, the user should enter it manually. The IP port number is fixed at 40812.

/// RS 232 interface

Configuration:

- › The functions of the interface connections between the device and the automation system are chosen from the signals specified in EIA standard RS 232 in accordance with DIN 66 020 Part 1.
- › For the electrical characteristics of the interface and the allocation of signal status, standard RS 232 applies in accordance with DIN 66 259 Part 1.
- › Transmission procedure: asynchronous character transmission in start-stop mode.
- › Type of transmission: full duplex.
- › Character format: character representation in accordance with data format in DIN 66 022 for start-stop mode. 1 start bit; 7 character bits; 1 parity bit (even); 1 stop bit.
- › Transmission speed: 9600 bit/s.
- › Data flow control: none
- › Access procedure: data transfer from the device to the computer takes place only at the computer's request.

/// Command syntax and format

The following applies to the command set:

- › Commands are generally sent from the computer to the lab device.
- › The lab device only sends at the computer's request. Even fault indications cannot be sent spontaneously from the lab device to the computer (automation system).
- › Commands are transmitted in capital letters.
- › Commands and parameters including successive parameters are separated by at least one space (Code: hex 0x20).
- › Each individual command (incl. parameters and data) and each response are terminated with CR LF (Code: hex 0x0d hex 0x0A) and have a maximum length of 80 characters.
- › The decimal separator in a number is a dot (Code: hex 0x2E).

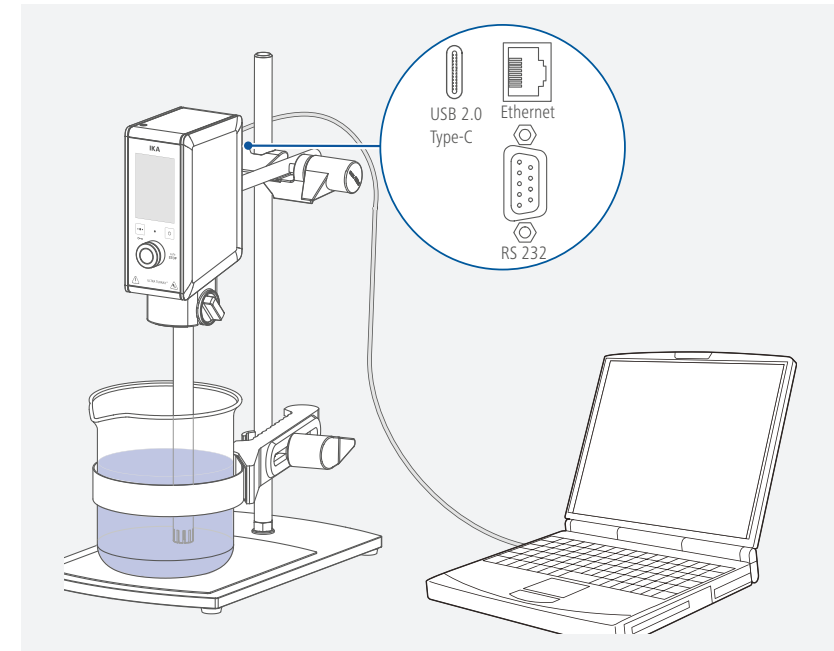
The above details correspond as far as possible to the recommendations of the NAMUR working party (NAMUR recommendations for the design of electrical plug connections for analogue and digital signal transmission on individual items of laboratory control equipment, rev. 1.1). The NAMUR commands and the additional specific IKA commands serve only as low level commands for communication between the device and the PC. With a suitable terminal or communications program these commands can be transmitted directly to the device. The IKA software Labworldsoft®, provides a convenient tool for controlling the device and collecting data under MS Windows.

Commands	Function
IN_NAME	Read device name.
RESET	Switch to normal operation mode.
IN_PV_3 ^❶	Read external temperature value.
IN_PV_4	Read current speed value.
IN_SP_4	Read rated value.
OUT_SP_4 X (X = 600 ... 25000)	Adjust the rated speed value to X rpm.
IN_SP_9 ^❶	Read the maximum temperature setting.
OUT_SP_9 X (X = 0 ... 125) ^❶	Set the maximum temperature to X °C/°F.
IN_PV_20 ^❶	Read the remaining maintenance time.
IN_PV_30 ^❶	Read the set maintenance time.
OUT_SP_30 X (14400 ... 144000) ^❶	Set the maintenance time to X seconds.
START_4	Start the motor.
STOP_4	Stop the motor.
IN_SOFTWARE	Read software ID and version.

i ^❶ Only for S 25 EC-T... dispersing tool.

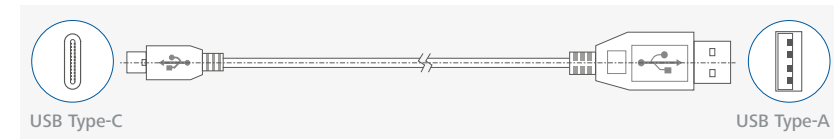
/// Connections between device and external devices

› Connecting device to a PC:



USB 2.0 Cable (A - C):

This cable is required to connect USB interface to a PC.



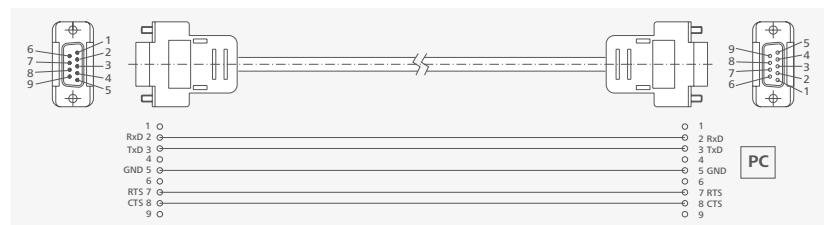
Ethernet cable:

This cable is required to connect ethernet interface to a PC.



PC 1.1 Cable:

This cable is required to connect RS 232 interface to a PC.



Wireless connection:

For details on setting up a wireless connection, please refer to the relevant operating instructions.

/// Device software update

Keep your device up-to-date with the IKA Firmware update tool.

The firmware update can be done with a computer connected through USB-Interface.

For this, you need register on our website MyIKA first.

After registering your device IKA will inform you about available updates for your devices.

Please download the software "FWUToolSetup.zip" from our IKA service website www.ika.com.

Maintenance and cleaning

The device is maintenance-free. It is only subject to the natural wear and tear of components and their statistical failure rate.

/// Cleaning

For cleaning disconnect the mains plug!

Use only cleaning agents which have been approved by IKA to clean the devices:

Water containing surfactant / isopropyl alcohol.

- › Wear protective gloves during cleaning the devices.
- › Electrical devices may not be placed in the cleansing agent for the purpose of cleaning.
- › Do not allow moisture to get into the device when cleaning.
- › Before using another than the recommended method for cleaning or decontamination, the user must ascertain with IKA that this method does not destroy the device.

/// Ordering spare parts

When ordering spare parts, please indicate:

- › Device type.
- › Serial number, see type plate.
- › Item and designation of the spare part, see: www.ika.com, spare parts diagram and spare parts list.

/// Repairs

Please send in device for repair only after it has been cleaned and is free from any materials which may constitute a health hazard.

For repair, please request the "Decontamination Certificate" from IKA, or download printout of it from the IKA website www.ika.com.

If you require servicing, return the device in its original packaging. Storage packaging is not sufficient. Please also use suitable transport packaging.

Warning message

Any malfunction during operation may be identified by a warning message on the display.

Proceed as follows in such cases:

no tool (n o t o o l)	
Causes	› The dispersing tool is not secured properly.
Effect	› Motor off
Solutions	› Secure the dispersing tool properly. › Restart the device function by pressing the control knob (C).
hot (h o t)	
Causes	› The medium temperature exceeds the maximum temperature setting (only for S 25 EC-T...).
Effect	› Motor off
Solutions	› Switch off the device using standby button (D). › Switch on the device again using standby button (D). › Let the medium and dispersing tool cool down or set higher maximum temperature. › Restart the device function by pressing the control knob (C).

Error codes

Any malfunctions during operation will be identified by an error message on the display.

Proceed as follows in such cases:

- › Switch off the device with the power switch or disconnect the device from the power supply.
- › Carry out corrective measures.
- › Restart the device.



In case of a failure, press the control knob or start/stop button for 1 seconds to show the full error code.

Error code | Causes | Effect | Solutions

E24: Motor

04240702 - Motor current upper limit exceeded

Causes	› Overload
Effect	› Motor off
Solutions	› Switch off the device. › Decrease the speed setting or the load.

04243610 - Motor speed blocked

Causes	› Motor can't run normal (can't start or not reach the target speed)
Effect	› Motor off
Solutions	› Switch off the device. › Check the structure for possible blockage

E41: Internal temperature

04411702 - Internal temperature upper limit exceeded

Causes	› Inside temperature is too high
Effect	› Motor off
Solutions	› Switch off the device and let it cool down.

If the actions described fails to resolve the fault or another error code is displayed then take one of the following steps:

- › Contact the service department.
- › Send the device for repair, including a short description of the fault.

Accessories

R 1825	Plate stand	RH 3	Strap clamp
R 1826	Plate stand	BC 1000	Beaker cap
R 1827	Plate stand	Silentstream	
R 182	Cross sleeve		

See more accessories on www.ika.com.

Permitted dispersing tools

Dispersing tools series S 25...

Abbreviations:

S 25:	suitable for device T 25...
N:	PTFE bearing
KV:	Ball bearing with axial face seal (suitable for vacuum up to 1 mbar, 6 bar excess pressure)
D:	Without seal
KD:	Ball bearing with PTFE bearing with seal
T:	Temperature
C:	Ceramic bearing
KS:	Synthetic material
ST:	Saw Tooth
EC:	easy clean

Dispersing tools for T 25...

8 G, 10 G, 14 G, 18 G: Stator/shaft tube diameter

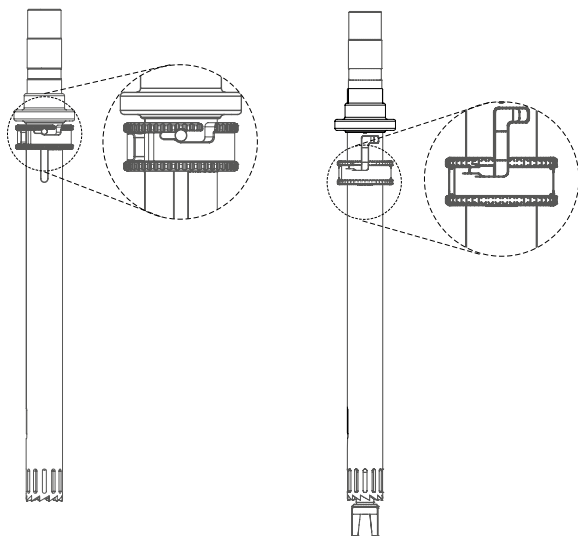
G: Coarse

Speed range: up to 25000 rpm

Designation	Shaft material
S 25 N - 8 G	Stainless steel
S 25 N - 10 G	Stainless steel
S 25 N - 18 G	Stainless steel
S 25 N - 8 G - ST	Stainless steel
S 25 N - 10 G - ST	Stainless steel
S 25 N - 18 G - ST	Stainless steel
S 25 KV - 18 G	Stainless steel
S 25 D - 10 G - KS	Synthetic material
S 25 D - 14 G - KS	Synthetic material
S 25 KD - 18 G	Stainless steel
S 25 KD - 18 G - ST	Stainless steel
S 25 EC - C - 18 G - ST ①	Stainless steel
S 25 EC - T - C - 18 G - ST ①	Stainless steel

(S 25 EC... only suitable for T25 easy clean digital / T25 easy clean control or T 25 mini control. Full functionality of the S 25 EC - T ... only with the T25 easy clean control and T 25 mini control).

① Note below dispersing status and cleaning status!



Dispersing status

Cleaning status

For applications and further information, please see the operating instructions of the dispersing tools.

Only use the dispersion tools listed and observe the operating instructions of the dispersing tool.

Technical data

Motor rating input	W	210
Motor rating output	W	160
Volume range (H ₂ O)	l	0.001 ... 1.5
Maximum viscosity	mPa·s	2000
Speed range	rpm	600 ... 25000
Speed deviation		± 3 % of current speed
Speed display		LED
Speed adjustment		Stepless
Noise without dispersing tool	dB (A)	≤ 75
Extension arm (Ø x L)	mm	13 x 160
Temperature display ①		LED
Temperature display resolution ①	K	0.1
Temperature measuring range ①	°C	+ 5 ... +120
Temperature measurement accuracy ①	K	± 1
Timer/counter function		Yes
Max. timer/counter		100 hours (99:59:59 [hour:minute:second])
Time display		LED
Permitted on time	%	100
Dimension (W x D x H)	mm	66 x 100 x186
Weight	kg	1.8
Permissible ambient temperature	°C	+ 5 ... + 40
Permissible relative humidity	%	80
Drive		Brushless motor
IP code according to EN 60529		IP 30
Interface		USB, RS 232, ethernet, wireless
Operation at a terrestrial altitude	m	max. 2000
Power supply		
Input		100 ... 240 VAC / 5.0 ... 2.5 A 50 ... 60 Hz
Output		48 VDC 310 W
Protection class		I

Subject to technical changes!

i ① Only for **S 25 EC-T...** dispersing tool.



Warranty

In accordance with IKA Terms and Condition of sale, the warranty period is 24 months. For claims under the warranty please contact your local dealer. You may also send the machine direct to our factory, enclosing the delivery invoice and giving reasons for the claim. You will be liable for freight costs.

The warranty does not cover worn out parts, nor does it apply to faults resulting from improper use, insufficient care or maintenance not carried out in accordance with the instructions in this operating manual.



designed for scientists

IKA-Werke GmbH & Co. KG

Janke & Kunkel-Straße 10, 79219 Staufen, Germany
Phone: +49 7633 831-0, Fax: +49 7633 831-98
eMail: sales@ika.de

USA

IKA Works, Inc.
Phone: +1 910 452-7059
sales@ika.net

KOREA

IKA Korea Ltd.
Phone: +82 2 2136 6800
sales-lab@ika.kr

BRASIL

IKA Brasil
Phone: +55 19 3772-9600
sales@ika.net.br

MALAYSIA

IKA Works (Asia) Sdn Bhd
Phone: +60 3 6099-5666
sales.lab@ika.my

CHINA

IKA Works Guangzhou
Phone: +86 20 8222 6771
info@ika.cn

POLAND

IKA Poland Sp. z o.o.
Phone: +48 22 201 99 79
sales.poland@ika.com

JAPAN

IKA Japan K.K.
Phone: +81 6 6730 6781
info_japan@ika.ne.jp

INDIA

IKA India Private Limited
Phone: +91 80 26253 900
info@ika.in

UNITED KINGDOM

IKA England LTD.
Phone: +44 1865 986 162
sales.England@ika.com

VIETNAM

IKA Vietnam Company Limited
Phone: +84 28 38202142
sales.lab-vietnam@ika.com

THAILAND

IKA Works (Thailand) Co. Ltd.
Phone: +66 2059 4690
sales.lab-thailand@ika.com

TURKEY

IKA Turkey A.S
Phone: +90 216 394 43 43
sales.turkey@ika.com

KENYA

IKA Works Kenya Ltd.
Phone: +254 112 323 745
sales.kenya@ika.com

UGANDA

IKA Works Kampala Limited
Phone: +254 112 323 745
sales.uganda@ika.com

SPAIN

IKA Works Spain, S. L.
Barcelona
sales.spain@ika.com

Discover and order the fascinating products of IKA online:
www.ika.com



IKAworlwide



IKAworlwide /// #lookattheblue



@IKAworlwide

Technical specifications may be changed without prior notice.